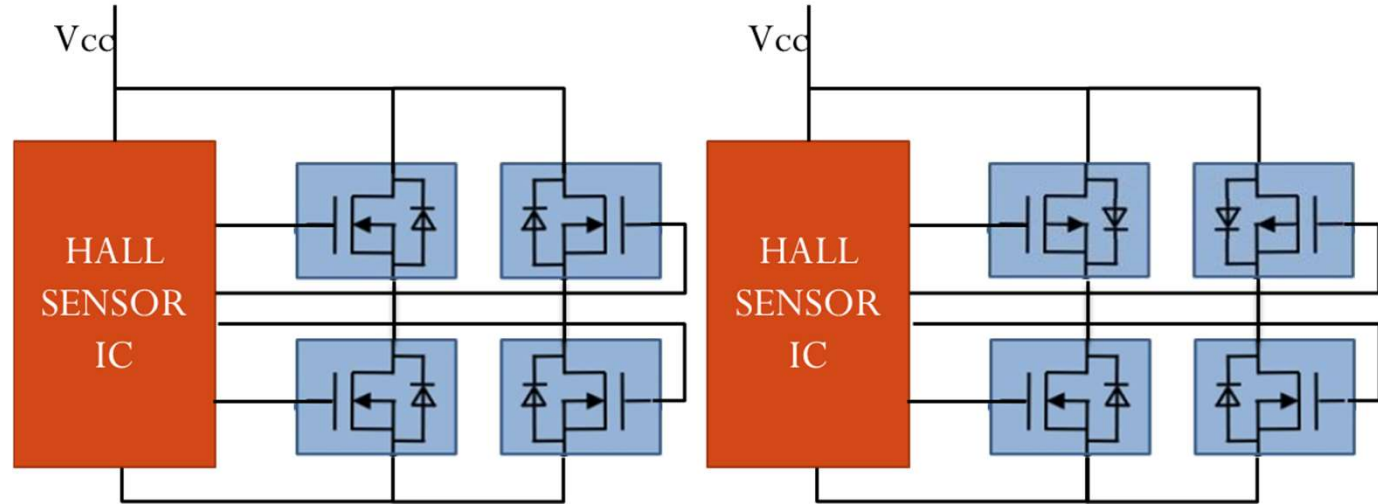


# MOSFET Applications

## DC Fan



Single MOSFET					Dual MOSFETs					Complementary				
Voltage(V)	Package	PN#	Rds(ON)(mΩ) Vgs@10V	Qg(nC)	Voltage(V)	Package	PN#	Rds(ON)(mΩ) Vgs@10V	Qg(nC)	Voltage(V)	Package	PN#	Rds(ON)(mΩ) Vgs@10V	Qg(nC)
30	PR PACK5X6	CEZ3R05	5.8	20	30	SO-8	CEM3258A	24	5	30	SO-8	CEM8958A	28	10.7
60	PR PACK5X6	CEZ6R86AL	7.4	8.3	40	SO-8	CEM4228A	34	5.7	-30	SO-8	CEM8958A	45	11.5
100	DFN3X3	CEZC0410SL	120	9.5	60	SO-8	CEM6188A	23	14	30	DFN3X3	CEC8958A	26	10.7
-30	PR PACK5X6	CEZ3P08A	8.4	24			CEM6368	44	9.7	-30	DFN3X3	CEC8958A	46	11.5
	DFN3X3	CEC3P07A	10	24			CEM6368	44	9.7	60	SO-8	CEM6369	45	9.7
-60	DFN3X3	CEC6P91	100	8.5			PR PACK5X6	CEZ6R68AL	9.5	8.3	-60	SO-8	CEM6369	95
-100	TO-252	CEU11P10	270	16						100	SO-8	CEM7350M	110	15
										-100	SO-8	CEM7350M	270	16
										100	PR PACK 5X6	CEZ100R19	100	15
										-100			250	16